

ỨNG DỤNG/APPLICATION/APPLICATION



Máy bơm ly tâm trục ngang được sử dụng rộng rãi trong :

- Xây dựng
 - Thoát nước, thủy lợi, tưới tiêu, cung cấp nước,
 - Hệ thống chữa cháy,
 - Công nghiệp (hệ thống giải nhiệt, bột giấy, thực phẩm, hóa chất, dệt nhuộm...)
 - Hệ thống sưởi, điều hòa không khí, tháp giải nhiệt
 - Hồ bơi, hệ thống rửa ...
- *Máy được cung cấp kèm theo mặt bích.



Monobloc horizontal centrifugal pumps, widely used in the following fields:

- General industry, plastics, paint, textiles, paper.
- Building
- Drainage, irrigation, sprinkling, water supplies,
- Fire-fighting systems,
- Heating systems, air-conditioning, cooling tower
- Swimming pool, washing systems...
- Standard supply with counter-flange.



Pompes centrifuges monobloc à axe horizontal, largement utilisé dans :

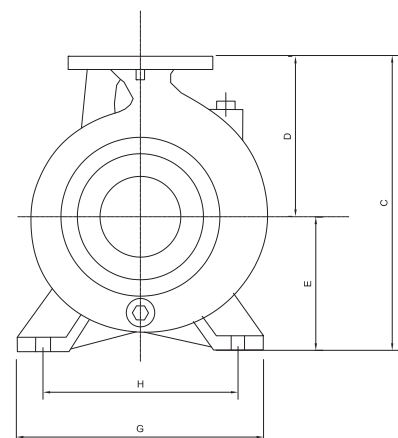
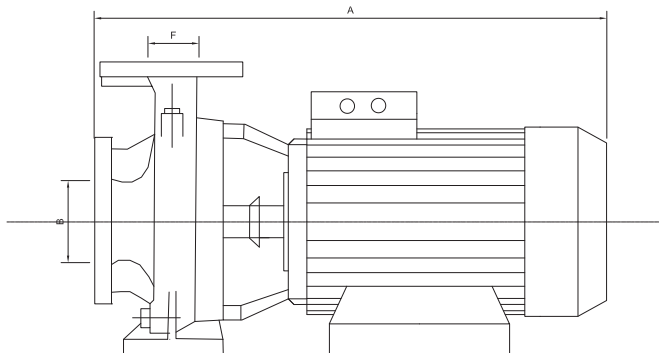
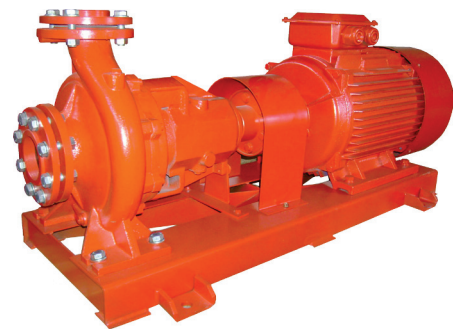
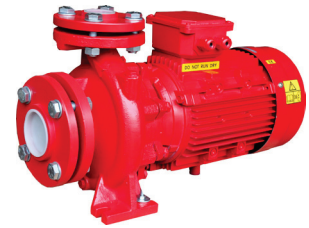
- Industrie en général, plastiques, peintures, textiles, papier.
- Bâtiment
- Drainage, l'irrigation, l'arrosage, l'approvisionnement en eau,
- Systèmes anti-incendie,
- Les systèmes de chauffage, climatisation, tours de refroidissement
- Piscine, systèmes de lavage ...
- Fournies de série avec contre-bride.

HOẠT ĐỘNG/OPERATION LIMITS/LIMITES D'OPÉRATION

$$Q = 4.5 \rightarrow 264 \text{ m}^3/\text{h}$$

$$75 \rightarrow 4400 \text{ l/min}$$

$$H = 24.4 \rightarrow 118 \text{ m}$$



TYPE	ELECTRIC PUMP		3x380V/50Hz	m³/h/l/min	9	12	15	18	21	24	27	30	33	36	39	42	48	54	60	66	72	78	84	96	108	120	132	144	156	168	180	195	210	225	240	264						
	Hp	Kw																																								
CN(R) 32-160/1.5	2	1.5	4	17.4																																						
CN(R) 32-160/2.2	3	2.2	5.2	29																																						
CN(R) 32-160/3	4	3	7.1	36.8																																						
CN(R) 32-200/4	5.5	4	9.4	41																																						
CN(R) 32-200/5.5	7.5	5.5	14.2	53																																						
CN(R) 32-200/7.5	10	7.5	16.5	61																																						
CN(R) 32-250/9.2	12.5	9.2	20.1	70																																						
CN(R) 32-250/11	15	11	24.2	82																																						
CN(R) 32-250/15	20	15	30.1	93																																						
CN(R) 40-125/1.5	2	1.5	4	17.4																																						
CN(R) 40-125/2.2	3	2.2	5.2	20.7																																						
CN(R) 40-125/3	4	3	7.1	25.2																																						
CN(R) 40-160/3	4	3	7.4	30																																						
CN(R) 40-160/4	5.5	4	9.9	35.4																																						
CN(R) 40-200/5.5	7.5	5.5	13.2	46.7																																						
CN(R) 40-200/7.5	10	7.5	16.8	56.4																																						
CN(R) 40-250/11	15	11	24.2	75.5																																						
CN(R) 40-250/15	20	15	32	91.5																																						
CN(R) 50-125/3	4	3	7.4	19.9																																						
CN(R) 50-125/4	5.5	4	9.9	24.5																																						
CN(R) 50-160/5.5	7.5	5.5	11.6	30.2																																						
CN(R) 50-160/7.5	10	7.5	15.8	36.3																																						
CN(R) 50-200/7.5	12.5	9.2	18.5	47																																						
CN(R) 50-200/11	15	11	21	52																																						
CN(R) 50-200/15	20	15	27	58.5																																						
CN(R) 50-250/15	25	18.5	32.5	71.5																																						
CN(R) 50-250/18.5	25	18.5	41.5	78																																						
CN(R) 50-250/22.5	30	22.5	51.5	90																																						
CN(R) 65-125/5.5	7.5	5.5	12.3	19.8																																						
CN(R) 65-125/7.5	10	7.5	15.9	24.2																																						
CN(R) 65-160/9.2	12.5	9.2	19.5	30.4																																						
CN(R) 65-160/11	15	11	22.5	34																																						
CN(R) 65-160/15	20	15	30	39																																						
CN(R) 65-200/15	20	15	32.5	43																																						
CN(R) 65-200/18.5	25	18.5	41.5	47.5																																						
CN(R) 65-200/22.5	30	22.5	51.5	56.5																																						
CN(R) 65-250/30	40	30	63.5	81																																						
CN(R) 65-250/37	50	37	74.5	90																																						
CN(R) 80-160/11	15	11	20.8	24																																						
CN(R) 80-160/15	20	15	25.8	29																																						
CN(R) 80-160/18.5	25	18.5	35	33.5																																						
CN(R) 80-160/22.5	30	22.5	42	37																																						
CN(R) 80-200/30	40	30	63.5	49																																						
CN(R) 80-200/37	50	37	74.5	58																																						
CN(R) 100-250/45	60	45	84																																							
CN(R) 100-250/55	75	55	102																																							
CN(R) 100-250/75	100	75	138																																							

SZ
Mixed flow pumps

MSP<